

Electromechanical Actuator [EMA]



PRODUCT CLASSIFICATION

Smart products

Proportional valves

Directional valves

Special designs

Name

EHA	2,5–5 l/min based on PPCD 04
EHA	10 l/min based on PPCD 05
EMA	

ELECTRICAL DATA

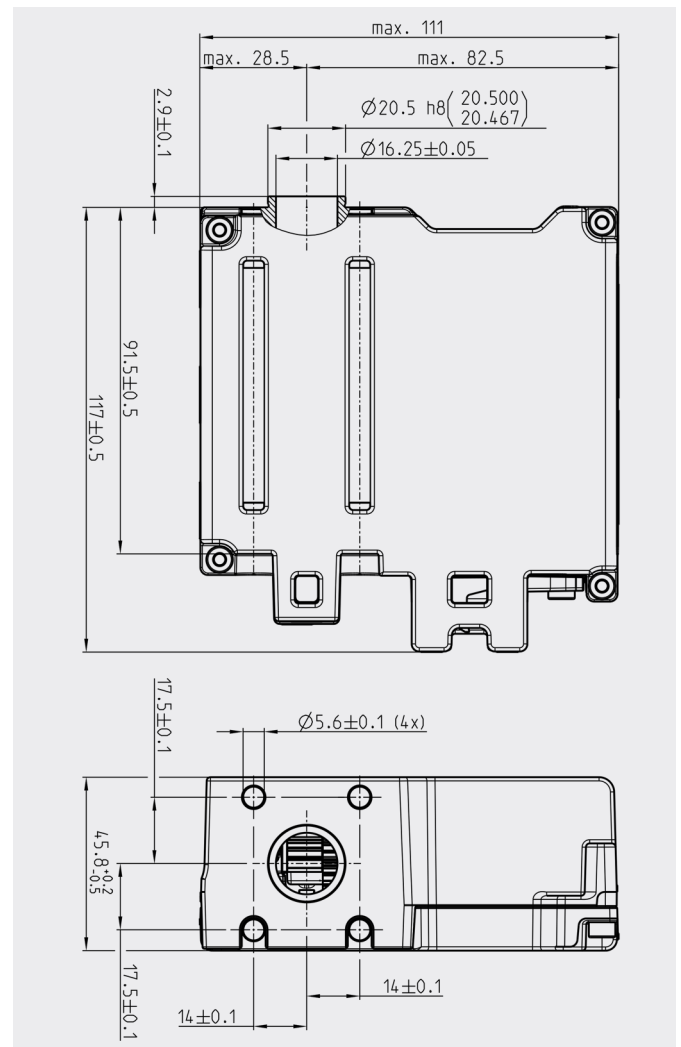
	12V	24V
Voltage	12V	24V
Operating voltage	Umin = 9 ... Umax = 16,5 [V]	Umin = 16 ... Umax = 32 [V]
Idle current (without holding current)	80 [mA]	60 [mA]
Holding current		
Extend / Retract	~ 830 [mA]	500 [mA]
Neutral	~ 540 [mA]	300 [mA]

PERFORMANCE DATA

Temperature range for normal operation	-40°C to +100°C (ambient temp. with circulating air. EMA mounted to a sectional valve)
Temperature range for reduced operation	+100°C to +120°C (ambient temp. with circulating air. EMA mounted to a sectional valve)
Working stroke	22 [mm]
Speed (in normal mode)	80 [mm/s] @ 12V-Version 100 [mm/s] @ 24V-Version
Minimum actuating force provided by the actuator Fmin (at a Voltage > 10.8)	240 N @ 80 mm/s 280 N @ 60 mm/s 340 N @ 10 mm/s
Holding force Fh	250 [N]
Repeatability (at constant temperature conditions)	± 6 [µm]
Resolution	6 [µm]

ACTUATOR AND INTERFACE

(All dimensions in mm)



CONTACT DETAILS



Michael Lutz

Thomas Magnete GmbH

✉ Innomotion Park 3
57562 Herdorf, Germany

☎ Tel. +49 2744 929-220

📱 michael.lutz@thomas-magnete.com
www.thomas-group.com



DISCLAIMER



The presented information is based on current knowledge and provides only non-binding information to the customer. Any liability in connection with this information is excluded. It is the responsibility of the customer to determine the suitability and appropriateness of the product for his intended purpose. We reserve the right to change the product with regard to technical progress and new developments.