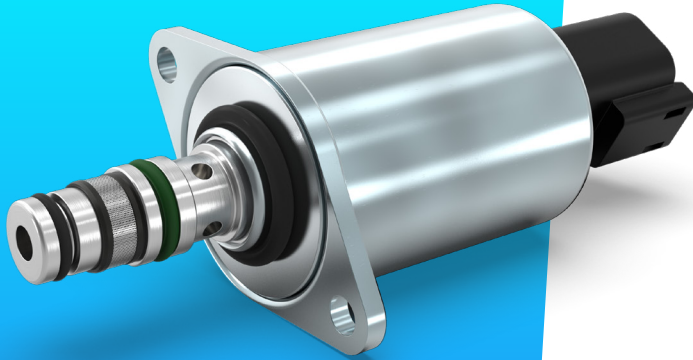


Inverse Pressure Relief Valve [IPRV]



Product classification

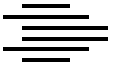
Name
ATEX
IPH
IPRV

Proportional
valves

Directional
valves

Smart
products

Special
designs



Hydraulic Data

Max pressure pump	$P_p = 150 \text{ bar}$
Max pressure tank	$P_T = 35 \text{ bar}$
Nominell flow	40 l/min
Flow range	5 to 70 l/min
Hysteresis	Max. 8 bar
Contamination level	Min Filtration: 20/18/15 According to ISO 4406
Fluid	Mineral Oil According to DIN 51524
Temperature range fluid	-30°C to +105°C
Leakage (internal)	< 3 l/min (de-energized; @ a pump pressure ramp from 0 to 120 bar)
Filterscreen size	none

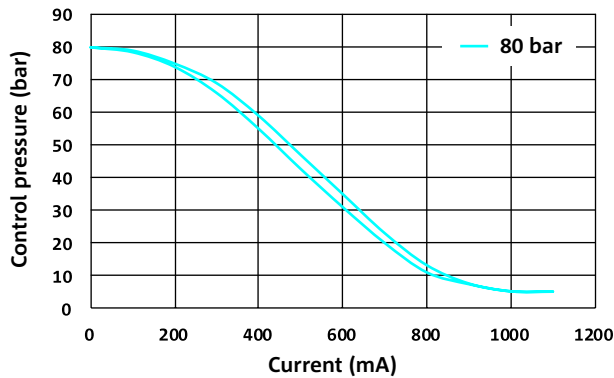
Electrical Data

Voltage	12 V	24 V
Voltage range	9 to 16 V	16 to 32 V
Resolution	1200 mA	600 mA
Resitance	$5,3 \Omega \pm 5\%$	$21,2 \Omega \pm 5\%$
Control signal (recommended)	Current control PWM 200 Hz recommended	
Connector	AMP Junior Timer Deutsch Connector DT04-2P	
Protection class	up to IP6K6 / IPX7	

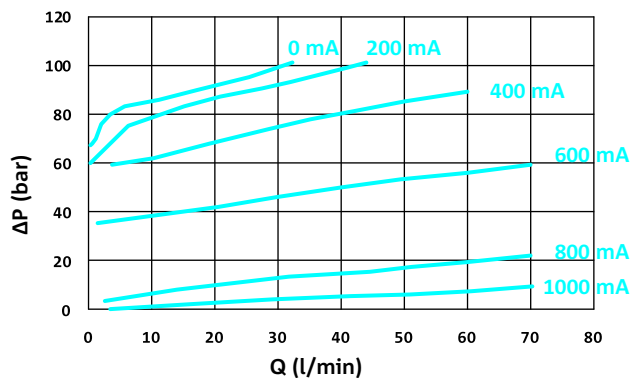
* The reported data are measured @ $P_p=35 \text{ bar}$ and an oil viscosity of 32 cSt

Current vs. Pressure (average characteristic)

P-I CURVE (12 V)

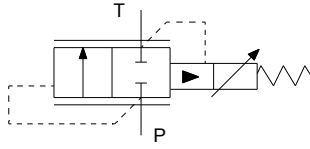


Flow characteristics (Average characteristic)





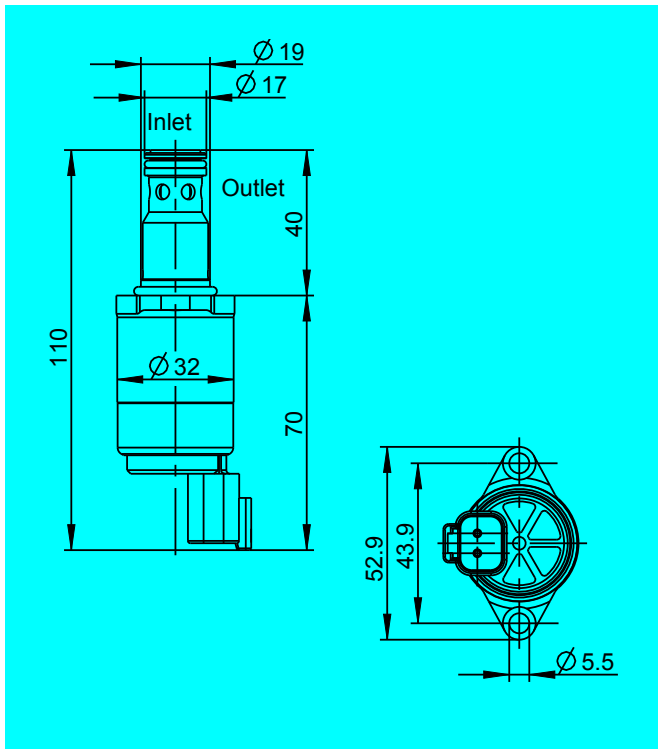
Hydraulic schematic



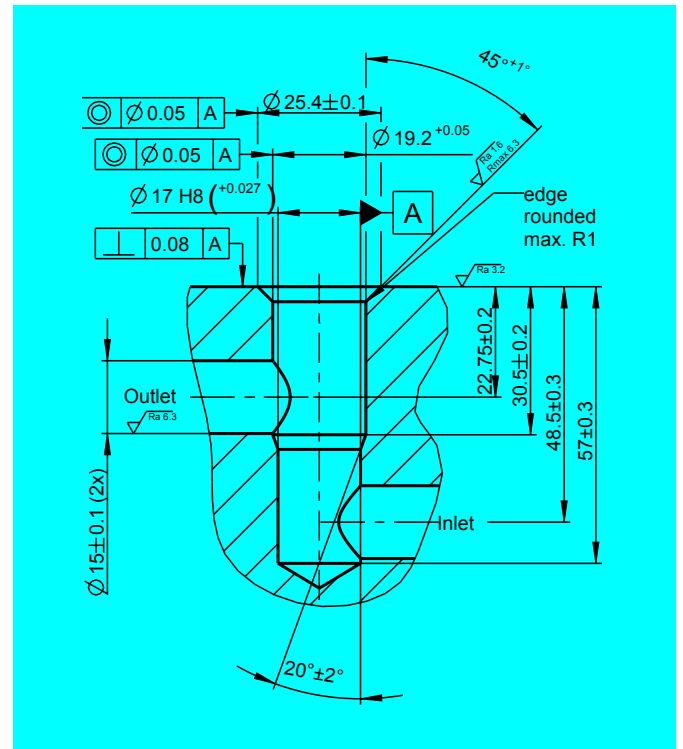
Additional data

Weight	approx. 270 g
Mounting position (recommended)	any
MTTF_d-value	150 years
Reference	Valve specifications according to Thomas LHP 85

Dimensions with Deutsch Connector (All dimensions in mm)

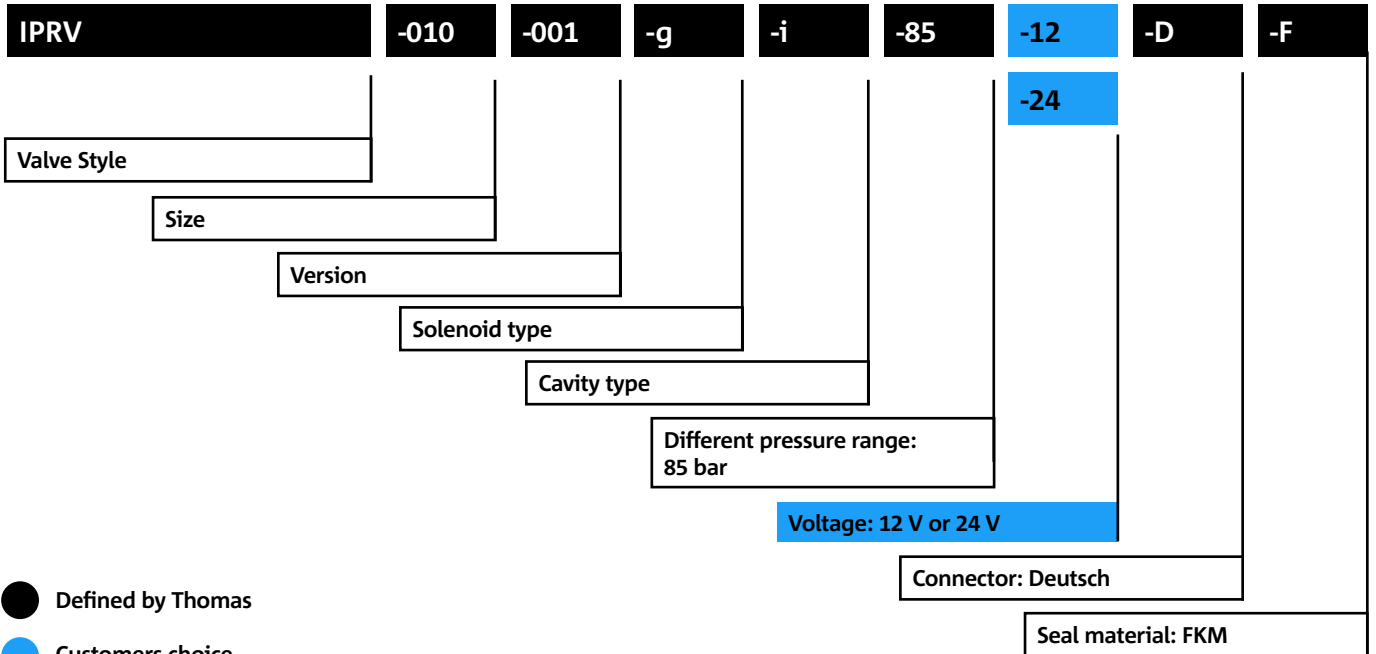


Cavity Dimensions (All dimensions in mm)





Model code



- Defined by Thomas
- Customers choice

CONTACT DETAILS

Michael Lutz

Thomas Magnete GmbH

Innomotion Park 3
57562 Herdorf, Germany

Tel. +49 2744 929-220

michael.lutz@thomas-magnete.com
www.thomas-group.com

DISCLAIMER

The presented information is based on current knowledge and provides only non-binding information to the customer. Any liability in connection with this information is excluded. It is the responsibility of the customer to determine the suitability and appropriateness of the product for his intended purpose. We reserve the right to change the product with regard to technical progress and new developments.