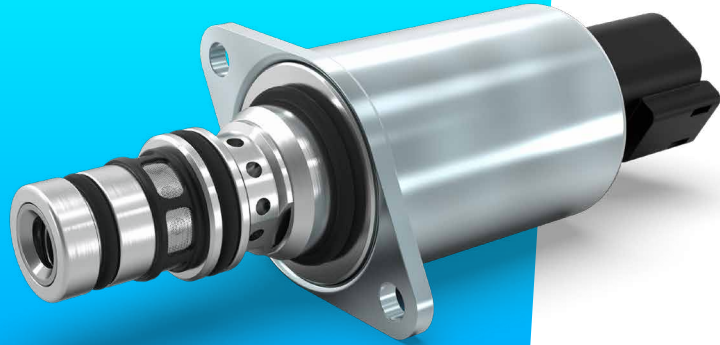


Proportional Pressure Control Valve PPCD08–NG PPRV HF



Proportional
valves

Directional
valves

Smart
products

Special
designs

Product classification

Name	Max volume flow @ 6 bar dp	
PPCD 03	1,25 l/min	Direct controlled
PPCD 04	2,5–5 l/min	
PPCD 05	10 l/min	
PPCD 06	15 l/min	
PPCD 08	20 l/min	
PPCD 09	30 l/min	Pilot operated
PPCP 09	35 l/min	
PPCP 13	72 l/min	



Hydraulic Data

Max pressure pump	$P_p = 50 \text{ bar}$
Max pressure tank	$P_T = 30 \text{ bar}$
Max pressure work	$P_A = 20 \text{ bar}$
Hysteresis	Typical 0,5 - 1,2 bar depending on control signal
Contamination level	Min Filtration: 20/18/15 According to ISO 4406
Fluid	Mineral Oil According to DIN 51524
Temperature range fluid	-30°C to +105°C
Leakage (internal)*	< 0,05 l/min (de-energized) < 0,20 l/min (energized)
Filterscreen size	140 μm (P-Port)

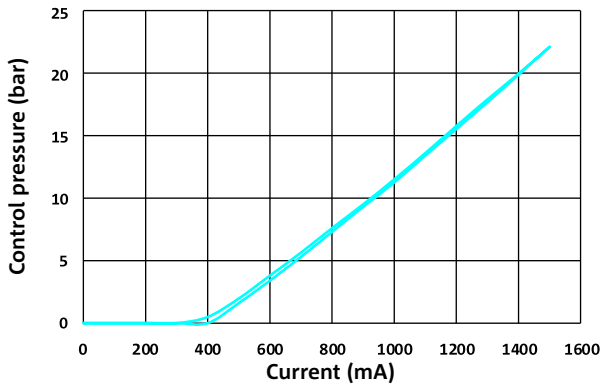
Electrical Data

Voltage	12 V	24 V
Max current	1500 mA	750 mA
Resistance	4,72 $\Omega \pm 5\%$	20,8 $\Omega \pm 5\%$
Type of control	Recommended: Dither 100 Hz (Amplitude PTP: 300mA @ 12V 150mA @ 24V)	
Connector	AMP Junior timer Deutsch Connector DT04-2P	
Protection class	up to IP6K6 / IPX9K	
Switching time	$t_{on} < 45 \text{ ms}$ (pA = 0% to 90%) $t_{off} < 45 \text{ ms}$ (pA = 100% to 10%)	

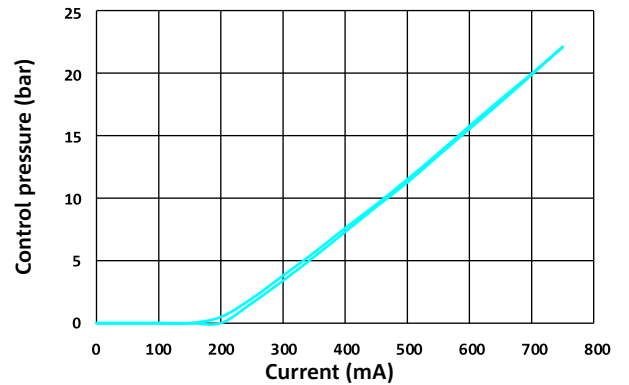
* The reported data are measured @ $P_p = 50 \text{ bar}$ and an oil viscosity of 32 cSt

Current vs. Pressure (Average characteristic)

P-I CURVE (12 V)



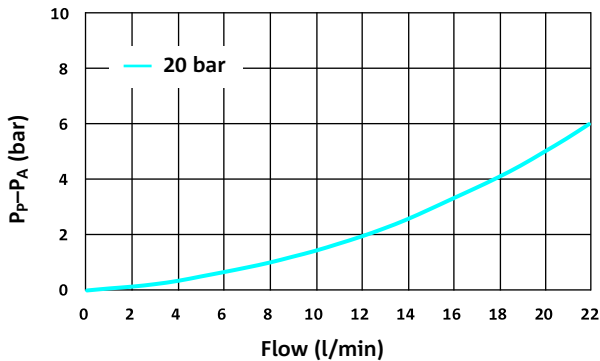
P-I CURVE (24 V)



Flow characteristics (Average characteristic)

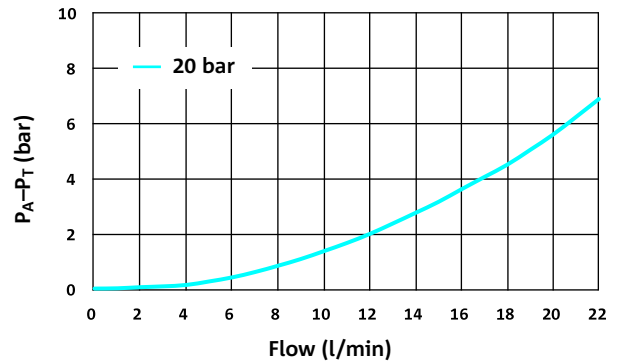
PRESSURE DROP PUMP TO CONTROL PORT (P→A)

Valve only



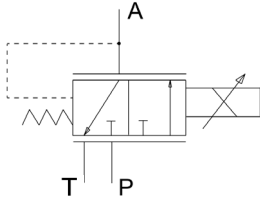
PRESSURE DROP CONTROL PORT TO TANK (A→T)

Valve only





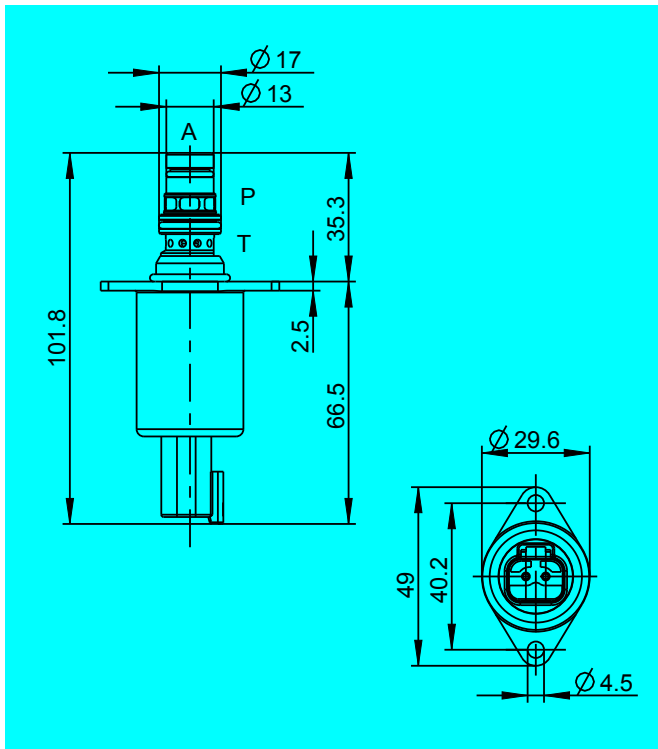
Hydraulic schematic



Additional data

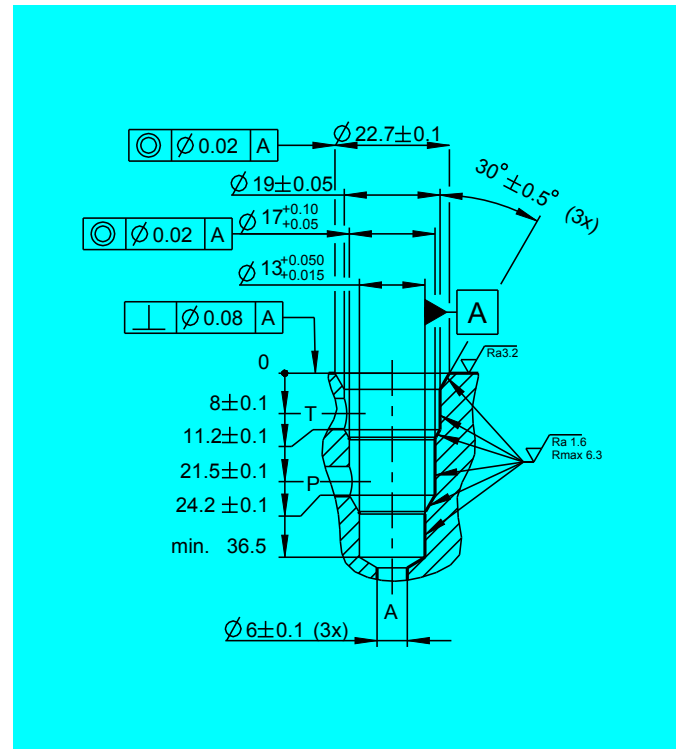
Weight	approx. 235 g
Mounting position (recommended)	any
MTTF_d-value	150 years
Reference	Valve specifications according to Thomas LHP 94

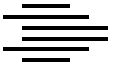
Dimensions with Deutsch Connector* (All dimensions in mm)



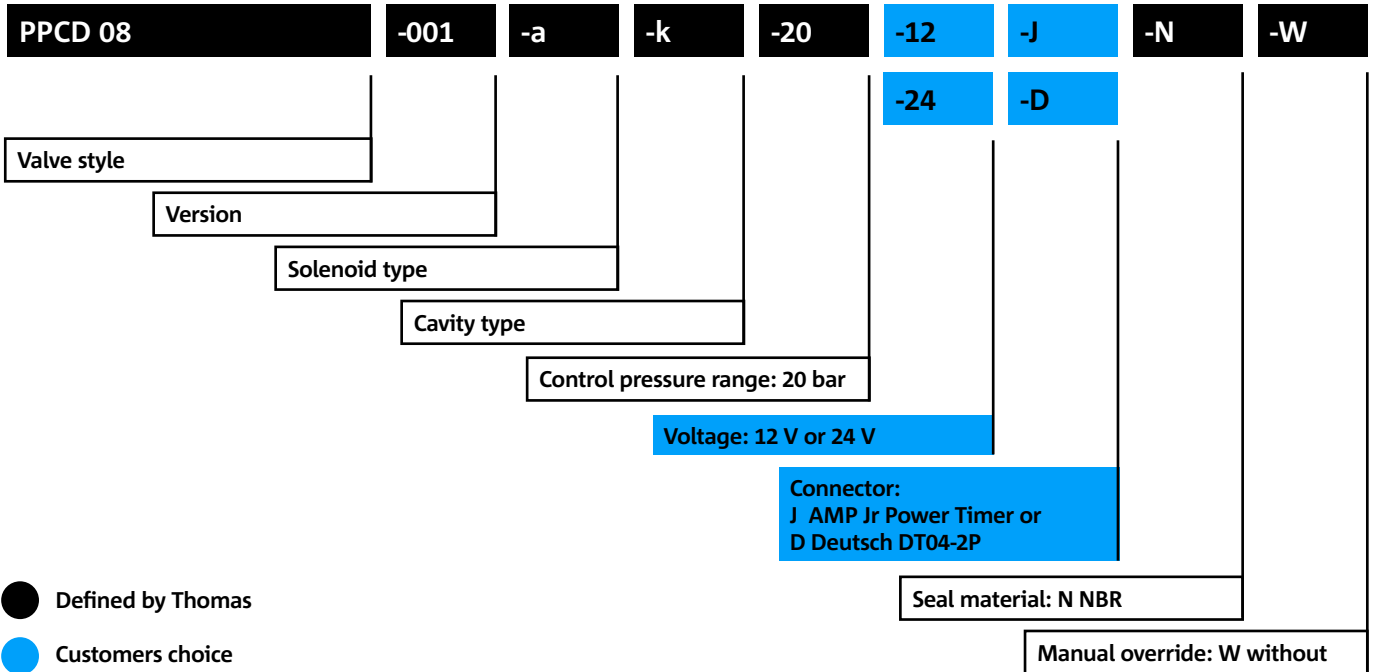
* Dimensions for AMP Jr. Connector available on request.

Cavity Dimensions (All dimensions in mm)





Model code



- Defined by Thomas
- Customers choice

CONTACT DETAILS

Michael Lutz

Thomas Magnete GmbH

Innomotion Park 3
57562 Herdorf, Germany

Tel. +49 2744 929-220

michael.lutz@thomas-magnete.com
www.thomas-group.com

DISCLAIMER

The presented information is based on current knowledge and provides only non-binding information to the customer. Any liability in connection with this information is excluded. It is the responsibility of the customer to determine the suitability and appropriateness of the product for his intended purpose. We reserve the right to change the product with regard to technical progress and new developments.